

Macduff Robotics

Intelligent Subsea Equipment



Description:

A general purpose subsea DC motor for applications such as electric manipulators, electric dosing pumps, actuators, and thrusters.

40W Brushless DC drive motor

MAIN FEATURES

- Reliable Brushless DC design
- Variable speed and direction.
- Various gearbox ratios.
- Maintenance free motor/gearbox combination
- Oil filled (requires external compensator)
- Range of output shaft and connector options

Further Information

Spares kits also available

Equipment supplied

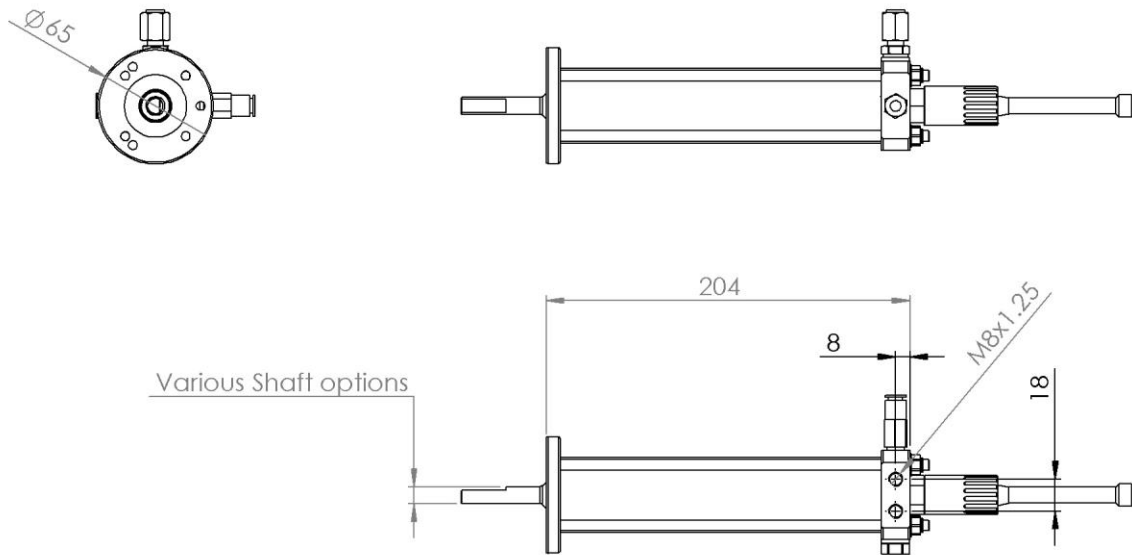
Standard tool supply includes

- Motor unit
- Operating manual



info@macduff-robotics.com

Dimensions



Information contained in this data sheet is up-to-date and correct as at the date of issue. All product designs, specifications and data are subject to change without notice to improve reliability, function, design or otherwise. No express or implied warranties are given.